

STEMH10 MOUNTING POLE FOR WALLBOX eMH1

The STEMH10 mounting pole is designed for the outdoor installation of all ABL Wallboxes eMH1. The STEMH10 impresses with its attractive and compact metal housing, including rear access protecting the internal components. The LEDs with twilight sensor integrated at the top end ensure sufficient illumination of the Wallbox, even in difficult lighting conditions. For maximum stability, ABL recommends installing the STEMH10 on the optionally available EMH9999 prefabricated concrete foundation.



Separately available
Wallbox eMH1 not included

General information

Model	Mounting pole for Wallbox eMH1
Product number	STEMH10
EAN number	4011721169446
Commodity code	85381000
Packaging unit (PU)	1 unit
Components included	Mounting pole, installation kit

Connections

External power supply	for supply cable sizes up to 5 x 16 mm ²
Rated voltage (power supply)	230/400 V
Rated current (power supply)	up to 32 A, 3-phase
Rated frequency	50 Hz

Integrated components

Lighting control	LEDs with twilight sensor
Power supply (lighting)	Integrated 12 V power adapter, 1 pc. (mandatory: separately available 2 A, 1-pole, C-characteristic upstream fuse, 1 pc.)
Rated voltage (lighting)	230 V
DIN rails	2 pcs. (150 x 35 mm)

Operating conditions

Storage temperature	-30 to 85°C
Operating temperature	-30 to 40°C
Max. internal temperature	-30 to 55°C
Relative humidity	5 to 95%, no condensation
Degree of protection (housing)	IP44
Maximum elevation	≤ 2,000 m above mean sea level

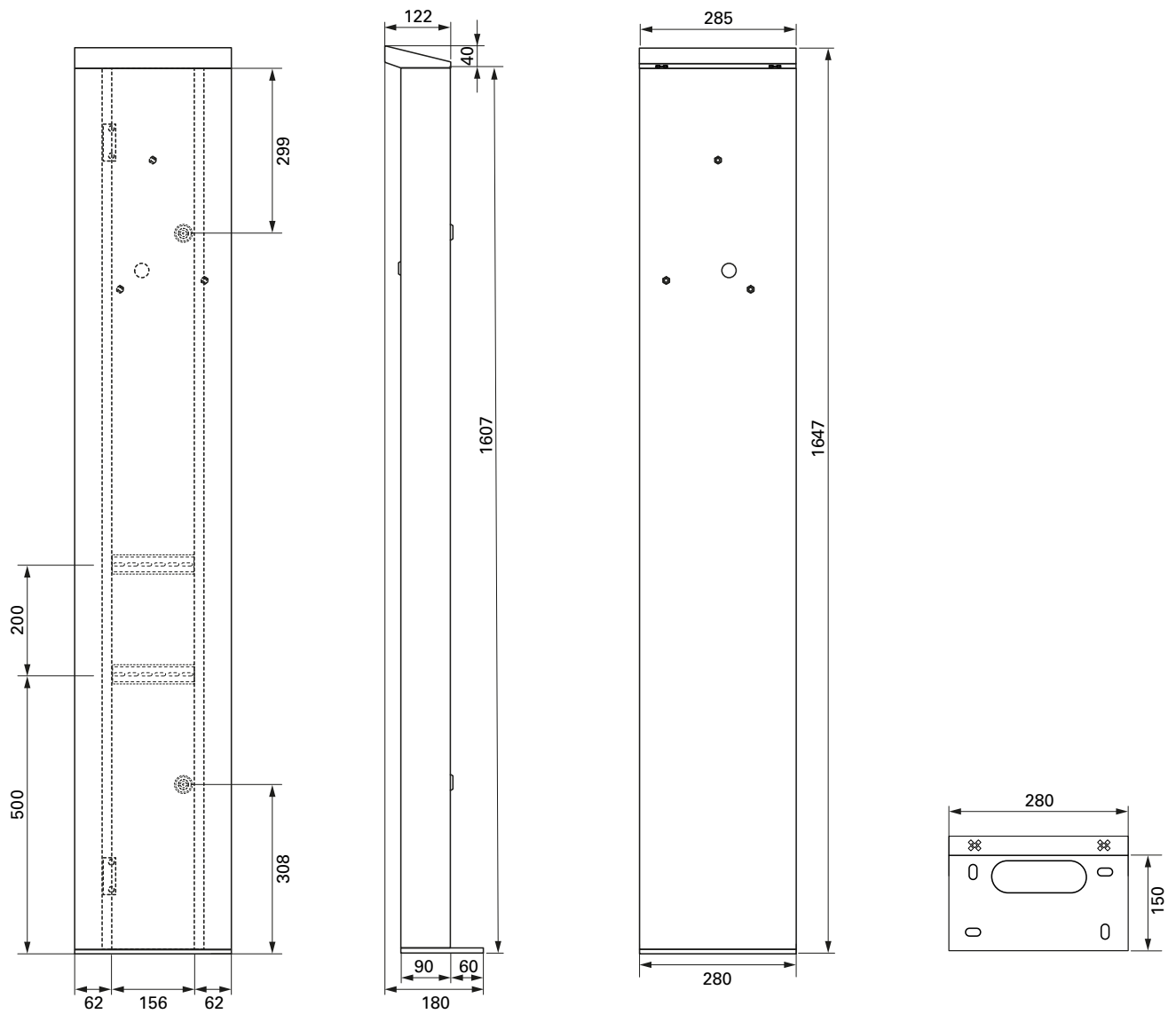
Housing

Type	Metal mounting pole with rear access
Fixing type	Screw fixings for installation on separately available EMH9999 prefabricated concrete foundation
Material (mounting pole)	Electrogalvanised sheet metal (DC01+ZE25/25-03)
Material (base plate)	Plate metal (DD11)
Housing color	RAL 7016 coarse texture, satin finish
Locking mechanism	Cam lock, double bit, 3 mm mandrel
Product dimensions (H x W x D)	1,647 x 285 x 180 mm
Packaging dimensions (H x W x D)	1,670 x 325 x 230 mm
Weight	approx. 25 kg

Optional accessories

Foundation	EMH9999
------------	---------

Dimensioned drawing



Subject to change: All performance characteristics, technical and other specifications are subject to change without prior notice.