

# eMH3 WALLBOX

## TWIN SLAVE+ WITH CHARGING CABLES

### 22 kW

Weights and measures legislation compliant, the eMH3 Wallbox features two fixed charging cables with Type 2 charging connectors. Thanks to its ability of charging two vehicles at the same, it is the ideal solution for semi-public and public applications. In multiple unit installations up to 7 eMH3 Slave Wallboxes can be connected to one master unit. Alternatively, the Wallbox eMH3 can be configured via software for stand-alone operation. With a Type A residual current circuit breaker (RCCB) and fault current detection integrated as standard, the wallbox is pre-installed and ready for connection by the installing technician and for immediate use. The eMH3 is 'Made in Germany' and offers the highest safety standards available.



## General information

Model	eMH3
Model number	3W2254
EAN number	4011721176307
Commodity code	85371091
Packaging unit (PU)	1 unit
Packaging (dimensions HxWxD)	700 x 500 x 400 mm
Components included	Wallbox, printed quick reference guide, 1 triangular key, installation kit

## Input/mains supply

External power supply	Supply cables up to a maximum of 16 mm <sup>2</sup> or cable diameters ≤ 25 mm
Rated voltage	230/400 V
Rated current	32 A
Rated frequency	50 Hz
Upstream fuse	32 A (required onsite), C characteristic recommended
Terminal blocks	Direct connection to RCCB PE: feed-through terminal block

## Output/vehicle connection

Connection system	Two charging cables with Type 2 connectors in acc. with IEC62196-2, approx. 6 m
Output voltage	230/400 V
Max. charging current	32 A
Maximum output	2 x 11 kW or 1 x 22 kW

## Protection/integrated components

RCCB	RCCB, Type A, 30 mA
DC fault current detection	electronic, $I_{\Delta n \text{ d.c.}} \geq 6 \text{ mA}$
Energy meter	MID compliant
Compliance module	Logging Gateway (LGW)
Load switching	Installation contactor, 4-pole, 40 A
Weld detection	Contactor welding switches off the charging point
Temperature monitoring	internal, charging current reduction or shut down

## Charging monitor/status indicators

Operating status indicator	LED
Access control	RFID card, QR code or smartphone app
Communication EV	in acc. with IEC 61851-1 Mode 3
Communication EVSE	RS485
Backend communication	via Master wallbox

## Standards/guidelines

IEC 61851-1
IEC 61439-7 ACSEV
in acc. with MessEV Modul B

## Operating conditions

Storage temperature	-30 to 85°C
Operating temperature	-25 to 40°C in acc. with DIN EN 61851-1 -30 to 50°C with integrated derating function
Relative humidity	5 to 95%, no condensation
Class of protection	I
Overvoltage category	III
Degree of pollution	3
Degree of protection (housing)	IP54
Impact strength	IK08
Maximum elevation	≤ 2,000 m AMSL
Power dissipation	7 W

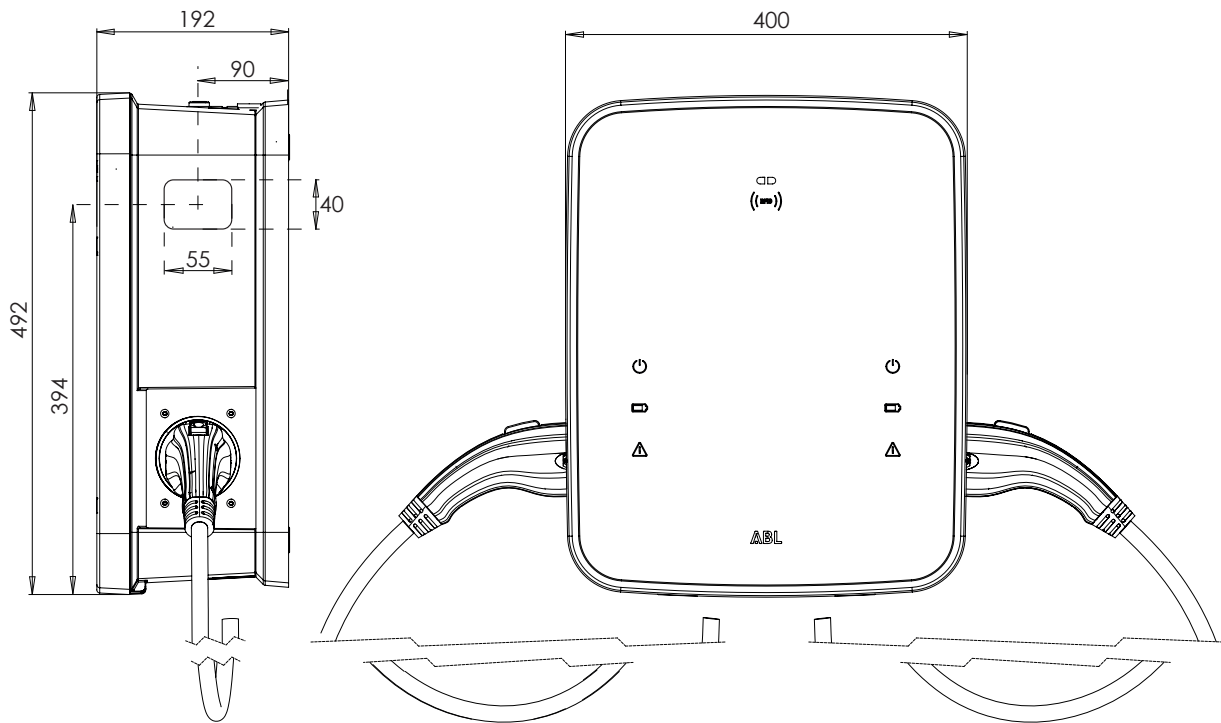
## Housing

Type	Wall-mounted housing
Fixing type	Wall installation using mounting plate and installation kit
Material (housing/cover)	Plastic
Housing color	Black, similar to RAL9011
Cover color	silver, similar to RAL9006 / black, similar to RAL9017
Locking mechanism	integrated triangular key lock
Dimensions (HxWxD)	492 x 400 x 192 mm
Weight (net)	approx. 21 kg

## Optional accessories

Pole	STEMH30
Foundation	EMH9999
Master-Slave installation kit	LOMK218
RFID card	E017869, 5 pcs
see website at <a href="http://www.ablmobility.de">www.ablmobility.de</a>	

## Dimensioned drawing



Subject to change: All performance characteristics, technical and other specifications are subject to change without prior notice.