

eMH2 WALLBOX

MASTER WITH CHARGING CABLE

22 kW

The eMH2 Wallbox is our smart, attractively designed charging solution for domestic and semi-public applications. The translucent cover shows color backlit pictograms to indicate the current charging status. The integrated RFID module ensures fast and secure access. This eMH2 Master provides one Type 2 charging cable with a charging capacity of up to 22 kW. Our Wallboxes come with an integrated Type A RCD and DC fault current detection preinstalled. An additional Type B RCCB is therefore not required. The Wallbox eMH2 Master is prepared for use as a master unit and is suitable for multiple charge point applications.



General information

Model	eMH2
Model number	2W2241
EAN number	4011721176802
Commodity code	85371091
Packaging unit (PU)	1 unit
Packaging (dimensions HxWxD)	740 x 380 x 217 mm
Components included	Wallbox, printed quick reference guide, installation kit, 2 keys, drilling template

Input/mains supply

External power supply	max. 5 x 16 mm ²
Rated voltage	230/400 V (3-phase)
Rated current	32 A
Rated frequency	50 Hz
Upstream fuse	max. 32 A (required onsite), C characteristic recommended
Terminal blocks	Direct connection to RCD PE to terminal block

Output/vehicle connection

Connection system	Single charging cable with Type 2 connector in acc. with IEC62196-2, ca. 6.35 m
Output voltage	230/400 V
Max. charging current	32 A
Maximum output	22 kW

Protection/integrated components

RCCB	RCD, Type A, 30 mA
DC fault current detection	electronic, $I_{\Delta n \text{ d.c.}} \geq 6 \text{ mA}$
Energy meter	MID approved (displayed in side window)
Load switching	Contactor, 4-pole
Weld detection	Contactor welding trips RCD
Temperature monitoring	internal, charging current reduction or shut down

Charging monitor/status indicators

Display (operating state/error codes)	LED
Access control	RFID card, QR code or smartphone app
Communication	in acc. with IEC 61851-1 Mode 3
Master/Slave communication	RS485
Backend communication	OCPP 1.6 via LAN or LTE/WIFI (optional)

Standards/guidelines

IEC 61851-1
IEC 61439-7
IEC 62196-1
IEC 62196-2

Operating conditions

Storage temperature	-30 to 85°C
Operating temperature	-30 to 40°C
Relative humidity	5 to 95%, no condensation
Class of protection	I
Overvoltage category	III
Degree of pollution	3
Degree of protection (housing)	IP54
Impact strength	IK08
Maximum elevation	$\leq 2,000 \text{ m AMSL}$
Power dissipation	n/a

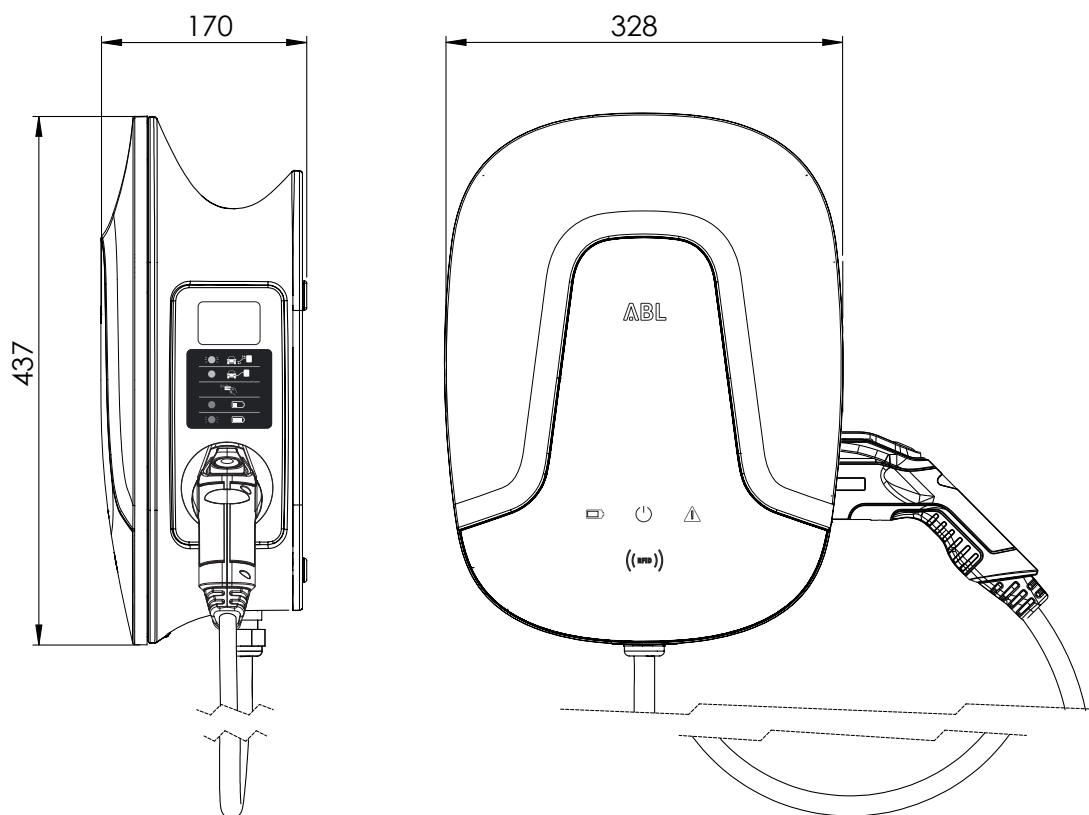
Housing

Type	Wall-mounted housing (can be used for cable storage)
Fixing type	Wall bracket (mounting kit provided)
Material (housing/cover)	Plastic
Housing color	black, RAL9011
Cover color	black, translucent
Locking mechanism	Lockable cover with safety screw
Dimensions (HxWxD)	437 x 328 x 170 mm
Weight (net)	approx. 10 kg
Weight (gross)	approx. 12 kg

Optional accessories

Master-Slave installation kit	LOMK218
RFID card	E017869, 5 pcs
see website at www.ablmobility.de	

Dimensioned drawing



Subject to change: All performance characteristics, technical and other specifications are subject to change without prior notice.