

# eMH2 WALLBOX

## EXTENDER WITH CHARGING CABLE

### 22 kW

The Wallbox eMH2 features a fixed charging cable with Type 2 charging connector. In multiple unit installations up to 15 Wallboxes eMH2 extender can be connected to one controller unit. Alternatively, the Wallbox eMH2 extender can be configured for stand-alone use using the software provided. With a Type A residual current circuit breaker (RCCB) and fault current detection integrated as standard, the wallbox is pre-installed and ready for connection by the installing technician and for immediate use. The eMH2 is 'Made in Germany' and offers the highest safety standards available.



## General information

Model	eMH2
Product number	2W2231
EAN number	4011721176796
Commodity code	85371091
Packaging unit (PU)	1 unit
Packaging (dimensions HxWxD)	740 x 380 x 217 mm
Items supplied	Wallbox, printed quick reference guide, installation kit, 1 keys, drilling template

## Input/mains supply

External power supply	max. 5 x 16 mm <sup>2</sup>
Rated voltage	230/400 V (3-phase)
Rated current	32 A
Rated frequency	50 Hz
Upstream fuse	max. 32 A (required onsite), C characteristic recommended
Terminal blocks	Direct connection to RCD PE to terminal block

## Output/vehicle connection

Connection system	Single charging cable with Type 2 connector in acc. with IEC62196-2, ca. 6.35 m
Output voltage	230/400 V
Max. charging current	32 A
Maximum output	22 kW

## Protection/integrated components

RCCB	RCD, Type A, 30 mA
DC fault current detection	electronic, $I_{\Delta n \text{ d.c.}} \geq 6 \text{ mA}$
Energy meter	MID conform (visible through lateral window)
Load switching	Contactor, 4-pole
Weld detection	Contactor welding trips RCD
Overcurrent protection	Integrated into firmware, disconnection at 110% after 100 seconds, at 120% after 10 seconds
Temperature monitoring	internal, charging current reduction or shut down

## Charge monitoring/status indicators

Display (operating state/error codes)	LED
Access control	RFID card, QR code or smartphone app
Communication	in acc. with IEC 61851-1 Mode 3
Communication Controller/Extender	RS485
Backend communication	Via controller wallbox

## Standards/guidelines

IEC 61851-1
IEC 61439-7
IEC 62196-1
IEC 62196-2

## Operating conditions

Storage temperature	-30 to 85°C
Operating temperature	-25 to 40°C
Relative humidity	5 to 95%, no condensation
Class of protection	I
Overvoltage category	III
Degree of pollution	3
Degree of protection (housing)	IP54
Impact strength	IK08
Maximum elevation	$\leq 2,000 \text{ m AMSL}$
Power dissipation	n/a

## Housing

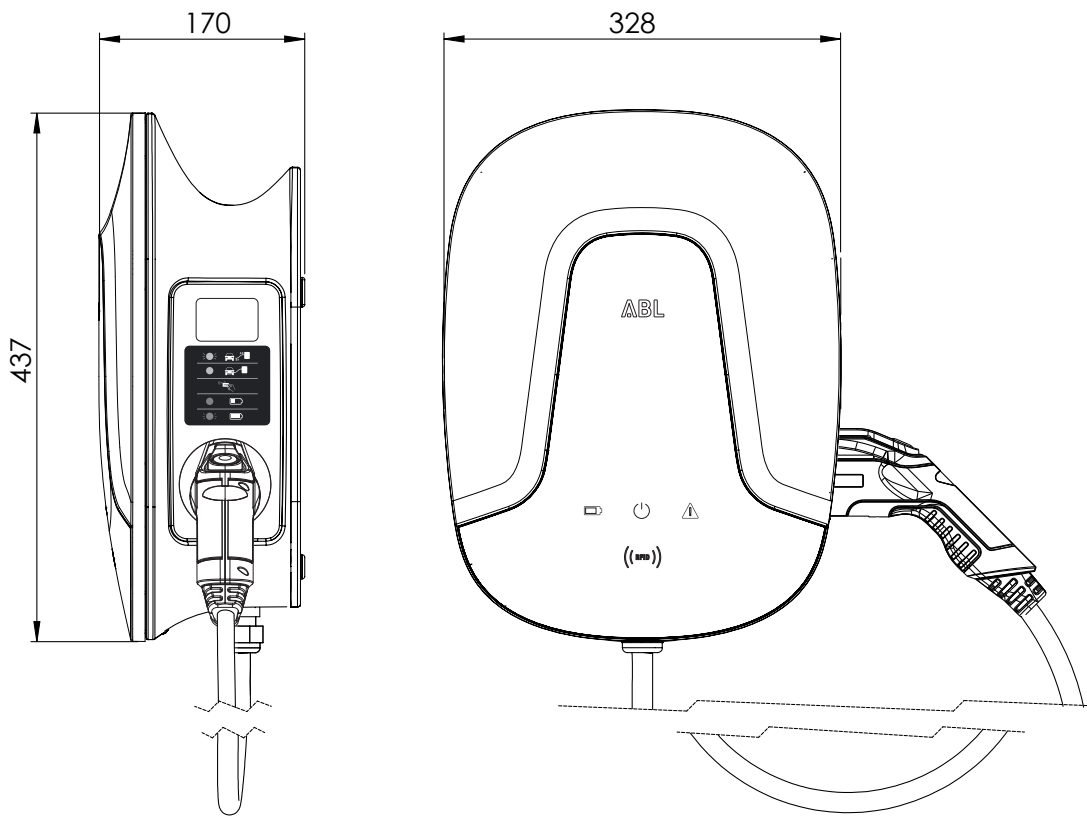
Type	Wall-mounted housing (can be used for cable storage)
Fixing type	Wall bracket (mounting kit provided)
Material (housing/cover)	Plastic
Housing colour	black, RAL9011
Cover colour	black, translucent
Locking mechanism	Lockable cover with safety screw
Dimensions (HxWxD)	437 x 328 x 170 mm
Weight (net)	approx. 10 kg
Weight (gross)	approx. 12 kg

## Optional accessories

Pole	POLEMH2
Foundation	EMH9999
Weather protection roof	WPR12
Cable storage holder with charging plug adapter	CABHOLD
Configuration kit	CONFACAB
RFID card	E017869, 5 pcs
Multi-purpose installation tester	TE001
Vehicle simulation adapter	TE002

see website at [www.ablmobility.de](http://www.ablmobility.de)

## Dimensioned drawing



Subject to change: All performance characteristics, technical and other specifications are subject to change without prior notice.