

eMH1 WALLBOX

WITH CHARGING SOCKET

22 kW

The eMH1 1W2221 is the smallest wallbox with built-in Type 2 charging socket for the private and semi-public domain. With a choice of separately available charging cables (Type 2 to Type 2, Type 2 to Type 1), the system offers flexible charging of various types of electric vehicles. The integrated residual current circuit breaker guarantees an extra high operational safety. Our DC fault current detection is installed as standard.



General information

Model	eMH1
Model number	1W2221
EAN number	-
Commodity code	85371091
Packaging unit (PU)	1 unit
Packaging (dimensions HxWxD)	355 x 315 x 175 mm
Components included	Wallbox, printed quick reference guide, installation kit, 2 keys, drilling template

Input/mains supply

External power supply	max. 5 x 6 mm ²
Rated voltage	230/400 V
Rated current	32 A
Grid frequency	50 Hz
Upstream fuse	32 A (required onsite), C characteristic recommended
Terminal blocks	Direct connection to RCCB PE: 6 mm ² feed-through terminal block

Output/vehicle connection

Connection system	Single lockable Type 2 charging socket in acc. with IEC62196-2
Output voltage	230/400 V
Max. charging current	32 A
Maximum output	22 kW

Protection/integrated components

RCCB	RCCB, Type A, 30 mA
DC fault current detection	electronic, $I_{\Delta n \text{ d.c.}} \geq 6 \text{ mA}$
Load switching	Contactors, 4-pole
Weld detection	Triggered by welding of the contactor
Temperature monitoring	Internal, charging current reduction or shut down

Charging monitor/status indicators

Indication (operating state/fault indication)	LED
Firmware indicator	LED (flashes on startup)
Communication EV	in acc. with IEC 61851-1 Mode 3
Communication EVSE	RS485

Standards/guidelines

IEC 61851-21-2
IEC 61851-1 Ed. 3
IEC 60364-7-722 Ed. 1

Operating conditions

Storage temperature	-30 to 85°C
Operating temperature	-30 to 50°C
Relative humidity	5 to 95%, no condensation
Class of protection	I
Overvoltage category	III
Degree of pollution	3
Degree of protection (housing)	IP44/IP54 (plugged/unplugged)
Power dissipation	n/a

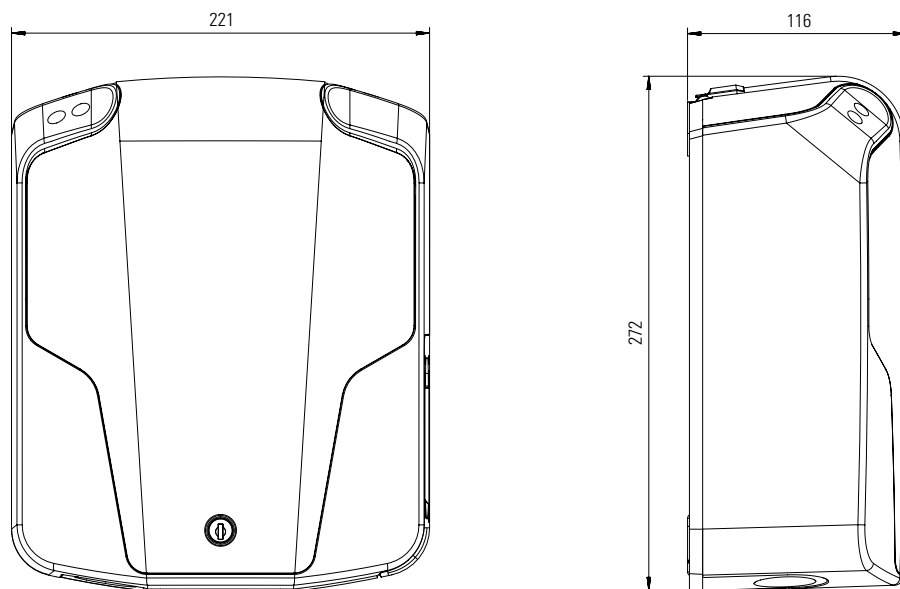
Housing

Type	Wall-mounted housing
Fixing type	Wall bracket (mounting kit provided)
Material (housing/cover)	Plastic
Housing color	RAL9005
Cover color	RAL9006
Locking mechanism	Lockable cover with integrated lock
Dimensions (HxWxD)	272 x 221 x 116 mm
Weight (net)	approx. 3 kg

Optional accessories

Pole	STEMH10
Foundation	EMH9999
Mounting plate with cable storage holder	WHEMH10
Mounting plate with cable storage holder and key switch	1W0001
Type 2 charging cable	LAK32A3, 32 A 240/415 V AC, length approx. 4 m
Type 2 charging cable	LAKC222, 20 A 240/415 V AC, length approx. 7 m
Type 2 to Type 1 adapter cable	LAKK2K1, 32 A 230 V AC, length approx. 4 m
Load management	SBCH1
Master-Slave installation kit	LOMK218
see website at www.ablmobility.de	

Dimensioned drawing



Subject to change: All performance characteristics, technical and other specifications are subject to change without prior notice.