

eMH1 WALLBOX

WITH CHARGING CABLE

22 kW

The eMH1 1W2208 is the smallest wallbox with an attached charging cable and Type 2 connector for the private domain. Thanks to its extremely compact dimensions, the eMH1 is the perfect indoor and outdoor solution for efficient charging of EV with a Type 2 charging socket.



General information

Model	eMH1
Model number	1W2208
EAN number	4011721179032
Commodity code	85371091
Packaging unit (PU)	1 unit
Packaging (dimensions HxWxD)	355 x 315 x 175 mm
Components included	Wallbox, printed quick reference guide, installation kit, 2 keys, drilling template

Input/mains supply

External power supply	max. 5 x 6 mm ²
Rated voltage	230/400 V
Rated current	32 A
Grid frequency	50 Hz
Upstream fuse	32 A (required onsite), C characteristic recommended
Terminal blocks	6 mm ² feed-through terminal block PE: 6 mm ² feed-through terminal block

Output/vehicle connection

Connection system	Single charging cable with Type 2 connector in acc. with IEC62196-2, ca. 6.35 m
Output voltage	230/400 V
Max. charging current	32 A
Maximum output	22 kW

Protection/integrated components

RCCB	min. RCCB Type A, 30 mA required onsite
DC fault current detection	electronic, $I_{\Delta n.d.c.} \geq 6 \text{ mA}$
Load switching	Contactors, 4-pole
Weld detection	No charging possible with welded contactors
Temperature monitoring	Internal, charging current reduction or shut down

Charging monitor/status indicators

Indication (operating state/fault indication)	LED
Firmware indicator	LED (flashes on startup)
Communication EV	in acc. with IEC 61851-1 Mode 3
Communication EVSE	RS485

Standards/guidelines

IEC 61851-21-2
IEC 61851-1 Ed. 3
IEC 60364-7-722 Ed. 1

Operating conditions

Storage temperature	-30 to 85°C
Operating temperature	-30 to 50°C
Relative humidity	5 to 95%, no condensation
Class of protection	I
Overvoltage category	III
Degree of pollution	3
Degree of protection (housing)	IP44/IP54 (plugged/unplugged)
Power dissipation	n/a

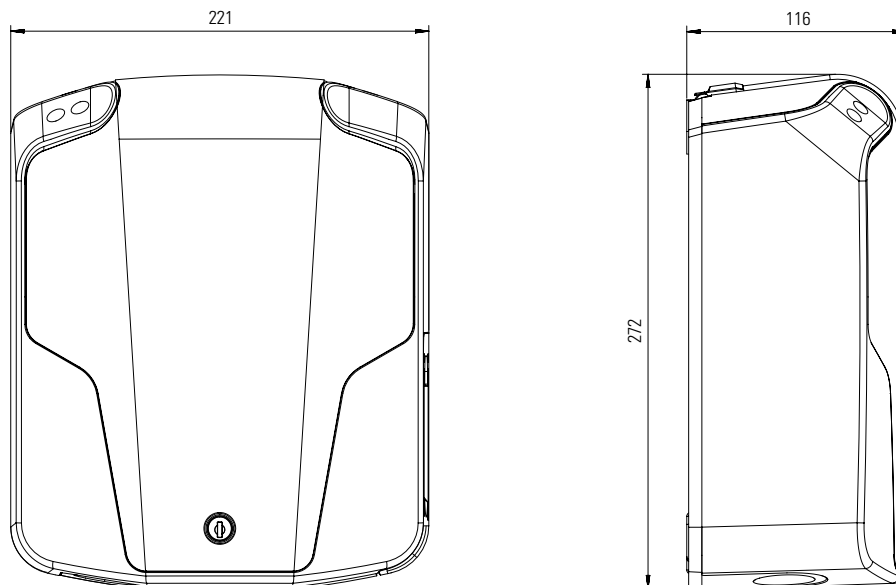
Housing

Type	Wall-mounted housing
Fixing type	Wall bracket (mounting kit provided)
Material (housing/cover)	Plastic
Housing color	RAL9005
Cover color	RAL9005
Locking mechanism	Lockable cover with integrated lock
Dimensions (HxWxD)	272 x 221 x 116 mm
Weight	approx. 4.5 kg

Optional accessories

Pole	STEMH10
Foundation	EMH9999
Mounting plate with cable storage holder	WHEMH10
Mounting plate with cable storage holder and key switch	1W0001
Load management	SBCH1
Master-Slave installation kit	LOMK218
see website at www.ablmobility.de	

Dimensioned drawing



Subject to change: All performance characteristics, technical and other specifications are subject to change without prior notice.