

# eMH1 WALLBOX

## WITH CHARGING CABLE

### 22 kW

The eMH1 1W2201 is the smallest wallbox with an attached charging cable and Type 2 connector for installation in the private and semi-public domain. Thanks to its extremely compact dimensions, the eMH1 is the perfect indoor and outdoor solution for efficient charging of EV with a Type 2 charging socket. The integrated residual current circuit breaker guarantees an extra high operational safety. Our DC fault current detection is installed as standard.



## General information

Model	eMH1
Model number	1W2201
EAN number	4011721175393
Commodity code	85371091
Packaging unit (PU)	1 unit
Packaging (dimensions HxWxD)	355 x 330 x 270 mm
Components included	Wallbox, printed quick reference guide, installation kit, 2 keys, drilling template

## Input/mains supply

External power supply	max. 5 x 6 mm <sup>2</sup>
Rated voltage	230/400 V
Rated current	32 A
Rated frequency	50 Hz
Upstream fuse	32 A (required onsite), C characteristic recommended
Terminal blocks	Direct connection to RCCB PE: 6 mm <sup>2</sup> feed-through terminal block

## Output/vehicle connection

Connection system	Single charging cable with Type 2 connector in acc. with IEC62196-2, ca. 6.35 m
Output voltage	230/400 V
Max. charging current	32 A
Maximum output	22 kW

## Protection/integrated components

RCCB	RCCB, Type A, 30 mA
DC fault current detection	electronic, $I_{\Delta n \text{ d.c.}} \geq 6 \text{ mA}$
Load switching	Contactors, 4-pole
Weld detection	Triggered by welding of the contactor
Temperature monitoring	Internal, charging current reduction or shut down

## Charging monitor/status indicators

Indication (operating state/fault indication)	LED
Firmware indicator	LED (flashes on startup)
Communication EV	in acc. with IEC 61851-1 Mode 3
Communication EVSE	RS485

## Standards/guidelines

IEC 61851-21-2
IEC 61851-1 Ed. 3
IEC 60364-7-722 Ed. 1

## Operating conditions

Storage temperature	-30 to 85°C
Operating temperature	-30 to 50°C
Relative humidity	5 to 95%, no condensation
Class of protection	I
Overvoltage category	III
Degree of pollution	3
Degree of protection (housing)	IP54
Power dissipation	n/a

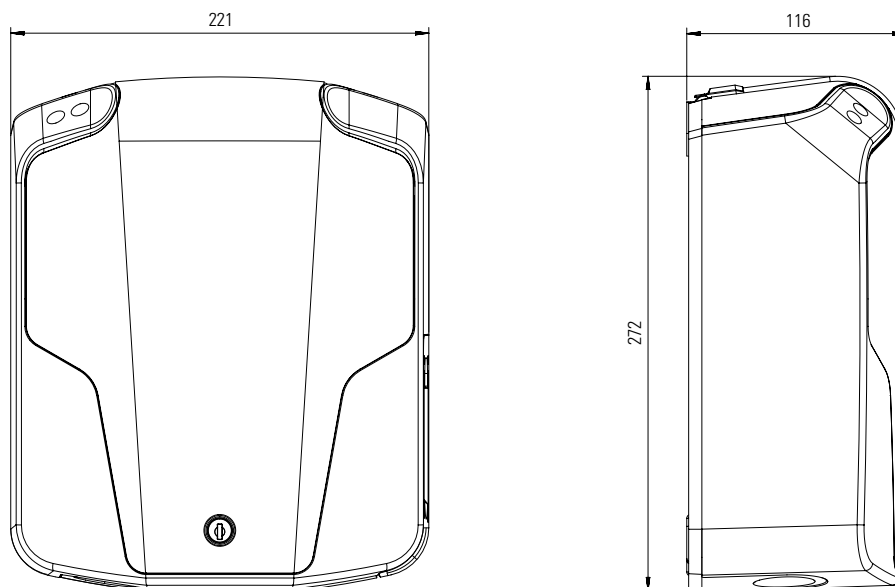
## Housing

Type	Wall-mounted housing
Fixing type	Wall bracket (mounting kit provided)
Material (housing/cover)	Plastic
Housing color	RAL9005
Cover color	RAL9006
Locking mechanism	Lockable cover with integrated lock
Dimensions (HxWxD)	272 x 221 x 116 mm
Weight	approx. 4.5 kg

## Optional accessories

Pole	STEMH10
Foundation	EMH9999
Mounting plate with cable storage holder	WHEMH10
Mounting plate with cable storage holder and key switch	1W0001
Load management	SBCH1
Master-Slave installation kit	LOMK218
see website at <a href="http://www.ablmobility.de">www.ablmobility.de</a>	

## Dimensioned drawing



Subject to change: All performance characteristics, technical and other specifications are subject to change without prior notice.