

# eMH3 WALLBOX

## TWIN MASTER WITH CHARGING CABLES & reev Backend Basic

### 22 kW

The Wallbox eMH3 has two fixed charging cables with Type 2 charging connectors. Thanks to its ability to charge two vehicles simultaneously and its intelligent reev backend, it is the ideal solution for semi-public and public applications. In group installations, the Master wallbox takes care of all necessary communication functions with the reev backend. The included 24-month reev Backend Basic licence enables future-proof operation, regular software updates, as well as flexible user and RFID management. The backend can also be upgraded at any time. With a Type A residual current circuit breaker (RCCB) and fault current detection integrated as standard, the wallbox with backend is pre-installed and ready for connection by the installing technician and for immediate use. The charging pole eMH3 with reev Backend Basic is 'Made in Germany' and offers the highest safety standards available.



## General information

Model	eMH3
Model number	3W2225B
EAN number	4011721180700
Commodity code	85371091
Packaging unit (PU)	1 unit
Packaging (dimensions HxWxD)	700 x 500 x 400 mm
Components included	Wallbox, printed quick reference guide, 1 triangular key, installation kit, 2 reev RFID cards, reev user onboarding brief

## Input/mains supply

External power supply	Supply cables up to a maximum of 16 mm <sup>2</sup> or cable diameters ≤ 25 mm
Rated voltage	230/400 V
Rated current	32 A
Rated frequency	50 Hz
Upstream fuse	32 A (required onsite), C characteristic recommended
Terminal blocks	Direct connection to RCCB PE: feed-through terminal block

## Output/vehicle connection

Connection system	Two charging cables with Type 2 connectors in acc. with IEC62196-2, approx. 6 m
Output voltage	230/400 V
Max. charging current	32 A
Maximum output	2 x 11 kW or 1 x 22 kW

## Protection/integrated components

RCCB	RCCB, Type A, 30 mA
DC fault current detection	electronic, $I_{\Delta n \text{ d.c.}} \geq 6 \text{ mA}$
Energy meter	MID compliant
Load switching	Installation contactor, 4-pole, 40 A
Weld detection	Contacting welding switches off the charging point
Temperature monitoring	internal, charging current reduction or shut down

## Charging monitor/status indicators

Operating status indicator	LED
Access control	RFID card, QR code or smartphone app
Communication EV	in acc. with IEC 61851-1 Mode 3
Master/Slave communication	RS485
Backend communication	OCPP 1.6 via LAN or LTE/WIFI (optional)

## Software operator portal

Access control	Driver and vehicle access rights allocated via RFID cards
Software updates	Automatic and free software updates

## Standards/guidelines

IEC 61851-1
IEC 61439-7 ACSEV

## Operating conditions

Storage temperature	-30 to 85°C
Operating temperature	-25 to 40°C in acc. with DIN EN 61851-1 -30 to 50°C with integrated derating function
Relative humidity	5 to 95%, no condensation
Class of protection	I
Overvoltage category	III
Degree of pollution	3
Degree of protection (housing)	IP54
Impact strength	IK08
Maximum elevation	≤ 2,000 m AMSL
Power dissipation	6.5 W

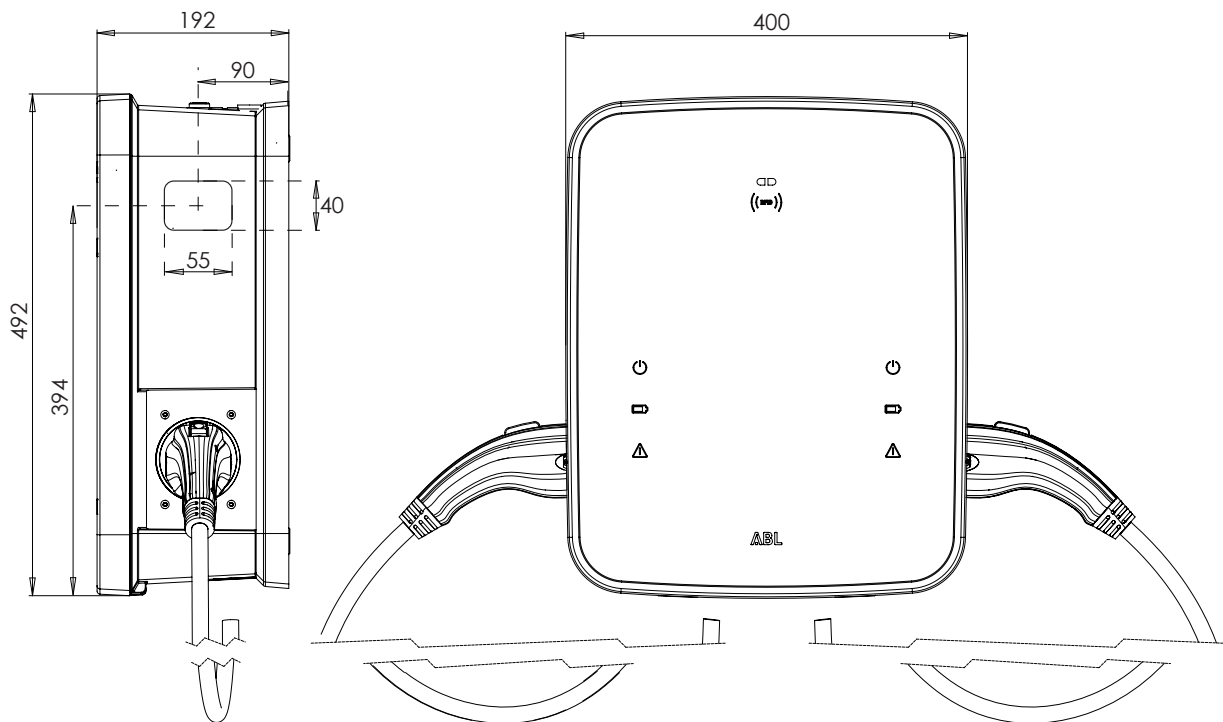
## Housing

Type	Wall-mounted housing
Fixing type	Wall installation using mounting plate and installation kit
Material (housing/cover)	Plastic
Housing color	Black, similar to RAL9011
Cover color	silver, similar to RAL9006 / black, similar to RAL9017
Locking mechanism	integrated triangular key lock
Dimensions (HxWxD)	492 × 400 × 192 mm
Weight (net)	approx. 21 kg

## Optional accessories

Pole	STEMH30
Foundation	EMH9999
Master-Slave installation kit	LOMK218
RFID card (ABL design)	E017869, 5 pcs
see website at <a href="http://www.ablmobility.de">www.ablmobility.de</a>	

## Dimensioned drawing



Subject to change: All performance characteristics, technical and other specifications are subject to change without prior notice.

ABL SURSUM  
Bayerische Elektrozubehör GmbH & Co. KG

Albert-Büttner-Straße 11  
D-91207 Lauf / Pegnitz

Phone +49 (0) 9123 188-0  
Fax +49 (0) 9123 188-188

info@abl.de  
www.ablmobility.de

reev  
by emonvia GmbH

Theo-Prosel-Weg  
D-80797 München

Phone +49 (0) 89 215 389 70

sales@reev.com  
www.reev.com