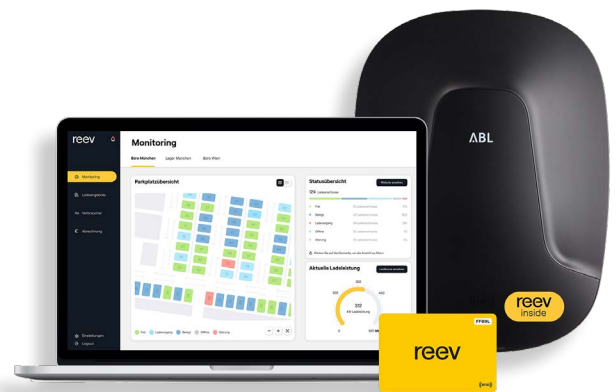


eMH2 WALLBOX

MASTER WITH CHARGING SOCKET & reev BACKEND Basic

22 kW

The eMH2 Wallbox features an integrated Type 2 charging socket. In combination with the reev Backend Basic, it is the intelligent charging solution for private and semi-public applications. In group installations, the Master wallbox takes care of all necessary communication functions with the reev backend. The included 24-month reev Backend Basic licence enables future-proof operation, regular software updates, as well as flexible user and RFID management. The backend can also be upgraded at any time. With a Type A residual current circuit breaker (RCCB) and fault current detection integrated as standard, the wallbox with backend is pre-installed and ready for connection by the installing technician and for immediate use. The Wallbox eMH2 with reev Backend Basic is 'Made in Germany' and offers the highest safety standards available.



General information

| | |
|------------------------------|--|
| Model | eMH2 |
| Model number | 2W2240B |
| EAN number | 4011721180434 |
| Commodity code | 85371091 |
| Packaging unit (PU) | 1 unit |
| Packaging (dimensions HxWxD) | 740 x 380 x 217 mm |
| Components included | Wallbox, printed instruction manual, installation kit, 2 keys, drilling template, 1 reev RFID card, reev user onboarding brief |

Input/mains supply

| | |
|-----------------------|---|
| External power supply | max. 5 x 16 mm ² |
| Rated voltage | 230/400 V (3-phase) |
| Rated current | 32 A |
| Rated frequency | 50 Hz |
| Upstream fuse | max. 32 A (required onsite), C characteristic recommended |
| Terminal blocks | Direct connection to RCD PE to terminal block |

Output/vehicle connection

| | |
|-----------------------|--|
| Connection system | Single lockable Type 2 charging socket in acc. with IEC62196-2 |
| Output voltage | 230/400 V |
| Max. charging current | 32 A |
| Maximum output | 22 kW |

Protection/integrated components

| | |
|----------------------------|---|
| RCCB | Type A RCD, 30 mA |
| DC fault current detection | electronic, $I_{\Delta n \text{ d.c.}} \geq 6 \text{ mA}$ |
| Energy meter | MID approved (displayed in side window) |
| Load switching | Contactors, 4-pole |
| Weld detection | Contactors welding trips RCD |
| Temperature monitoring | internal, charging current reduction or shut down |

Charging monitor/status indicators

| | |
|---------------------------------------|---|
| Display (operating state/error codes) | LED |
| Access control | RFID card, QR code or smartphone app |
| Communication | in acc. with IEC 61851-1 Mode 3 |
| Master/Slave communication | RS485 |
| Backend communication | OCPP 1.6 via LAN or LTE/WIFI (optional) |

Software operator portal

| | |
|------------------|---|
| Access control | Driver and vehicle access rights allocated via RFID cards |
| Software updates | Automatic and free software updates |

Operating conditions

| | |
|--------------------------------|-------------------------------|
| Storage temperature | -30 to 85°C |
| Operating temperature | -30 to 40°C |
| Relative humidity | 5 to 95%, no condensation |
| Class of protection | I |
| Overvoltage category | III |
| Degree of pollution | 3 |
| Degree of protection (housing) | IP44/IP54 (plugged/unplugged) |
| Impact strength | IK08 |
| Maximum elevation | $\leq 2,000 \text{ m AMSL}$ |
| Power dissipation | n/a |

Standards/guidelines

IEC 61851-1

IEC 61439-7

IEC 62196-1

IEC 62196-2

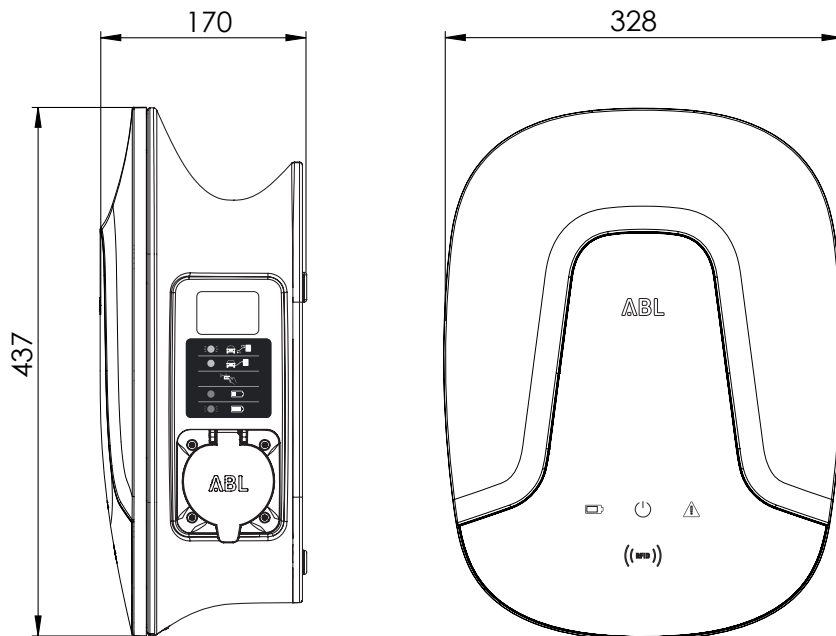
Housing

| | |
|--------------------------|--|
| Type | Wall-mounted housing (can be used for cable storage) |
| Fixing type | Wall bracket (mounting kit provided) |
| Material (housing/cover) | Plastic |
| Housing color | black, RAL9011 |
| Cover color | black, translucent |
| Locking mechanism | Lockable cover with safety screw |
| Dimensions (HxWxD) | 437 × 328 × 170 mm |
| Weight (net) | approx. 8 kg |
| Weight (gross) | approx. 10 kg |

Optional accessories

| | |
|---|--|
| Type 2 charging cable | LAK32A3, 32 A 240/415 V AC, length approx. 4 m |
| Type 2 charging cable | LAKC222, 20 A 240/415 V AC, length approx. 7 m |
| Type 2 to Type 1 adapter cable | LAKK2K1, 32 A 230 V AC, length approx. 4 m |
| Master-Slave installation kit | LOMK218 |
| RFID card (ABL design) | E017869, 5 pcs |
| see website at www.ablmobility.de | |

Dimensioned drawing



Subject to change: All performance characteristics, technical and other specifications are subject to change without prior notice.

ABL SURSUM
Bayerische Elektrozubehör GmbH & Co. KG

Albert-Büttner-Straße 11
D-91207 Lauf / Pegnitz

Phone +49 (0) 9123 188-0
Fax +49 (0) 9123 188-188

info@abl.de
www.ablmobility.de

reev
by emonvia GmbH

Theo-Prosel-Weg
D-80797 München

Phone +49 (0) 89 215 389 70

sales@reev.com
www.reev.com