

WALLBOX eMH3 Twin reev ready

CONTROLLER WITH CHARGING CABLES

22 kW

The wallbox eMH3 Twin reev ready has two fixed charging cables with type 2 charging connectors for simultaneous charging of two vehicles. The Controller version is designed for controlling additional Extender wallboxes in a group solution and is therefore perfectly suited for use in semi-public and public areas. The controller version is already pre-configured for simple activation of the reev software. After commissioning, the reev ready wallbox has connectivity for 2 years. Activating the reev backend within this period additionally allows use of the remote service free of charge. With the reev ready Compact or Pro licence keys, the reev Dashboard can be activated quickly and easily for the pre-configured ABL wallbox up to 2 years after commissioning. The reev ready licence keys offer future-proof operation, regular software updates as well as a wide range of functionalities and the reev customer support. With a type A residual current circuit breaker (RCCB) and DC fault current detection integrated as standard, the eMH3 wallbox with reev backend is pre-installed and ready for connection by the installing technician. The wallbox eMH3 Twin reev ready is 'Made in Germany' and offers the highest safety standards available.



General information

| | |
|------------------------------|---|
| Model | eMH3 |
| Product number | 3W2284B |
| EAN number | 4011721183459 |
| Commodity code | 85371091 |
| Packaging unit (PU) | 1 unit |
| Packaging (dimensions HxWxD) | 736 × 487 × 381 mm |
| Items supplied | Wallbox, printed operating manual, 1 triangular key, installation kit, reev onboarding guide, 1 reev RFID test key, 2 reev QR codes, 1 SIM card, reev operator set, 2 reev RFID charging keys |

Input / mains supply

| | |
|-----------------------|--|
| External power supply | Supply cables up to a maximum of 16 mm ² or cable diameters ≤ 25 mm |
| Rated voltage | 230 / 400 V |
| Rated current | 32 A |
| Rated frequency | 50 Hz |
| Upstream fuse | 32 A (required onsite), C characteristic recommended |
| Terminal blocks | Direct connection to RCCB PE: feed-through terminal block |

Output / vehicle connection

| | |
|-----------------------|---|
| Connection system | Two charging cables with type 2 connector in acc. with IEC 62196-2, ca. 6 m |
| Output voltage | 230 / 400 V |
| Max. charging current | 32 A |
| Maximum output | 2 × 11 kW or 1 × 22 kW |

Protection / integrated components

| | |
|----------------------------|--|
| RCCB | RCCB, type A, 30 mA |
| DC fault current detection | Electronic, $I_{\Delta n \text{ d.c.}} \geq 6 \text{ mA}$ |
| Energy meter | MID compliant |
| Load switching | Installation contactor, 4-pole, 40 A |
| Weld detection | No charging possible with welded contactors |
| Overcurrent protection | Integrated into firmware, disconnection at 120% after 10 seconds |
| Temperature monitoring | Internal, charging current reduction or shut down |

Charge monitoring / status indicators

| | |
|-------------------------------------|---|
| Operating status indicator | LED |
| Access control | RFID, QR code or smartphone app |
| Communication EV | In acc. with IEC 61851-1 Mode 3 |
| Communication Controller / Extender | RS485 |
| Backend communication | LAN, LTE, optional Wifi, OCPP 1.6 + 1.5 |

Standards / directives

| |
|-------------------|
| IEC 61851-1 |
| IEC 61439-7 ACSEV |

Operating conditions

| | |
|--------------------------------|---------------------------|
| Storage temperature | -30 to 85°C |
| Operating temperature | -25 to 40°C |
| Relative humidity | 5 to 95%, no condensation |
| Class of protection | I |
| Overvoltage category | III |
| Degree of pollution | 3 |
| Degree of protection (housing) | IP54 |
| Impact strength | IK08 |
| Maximum elevation | ≤ 2,000 m AMSL |
| Power dissipation | 6.5 W |

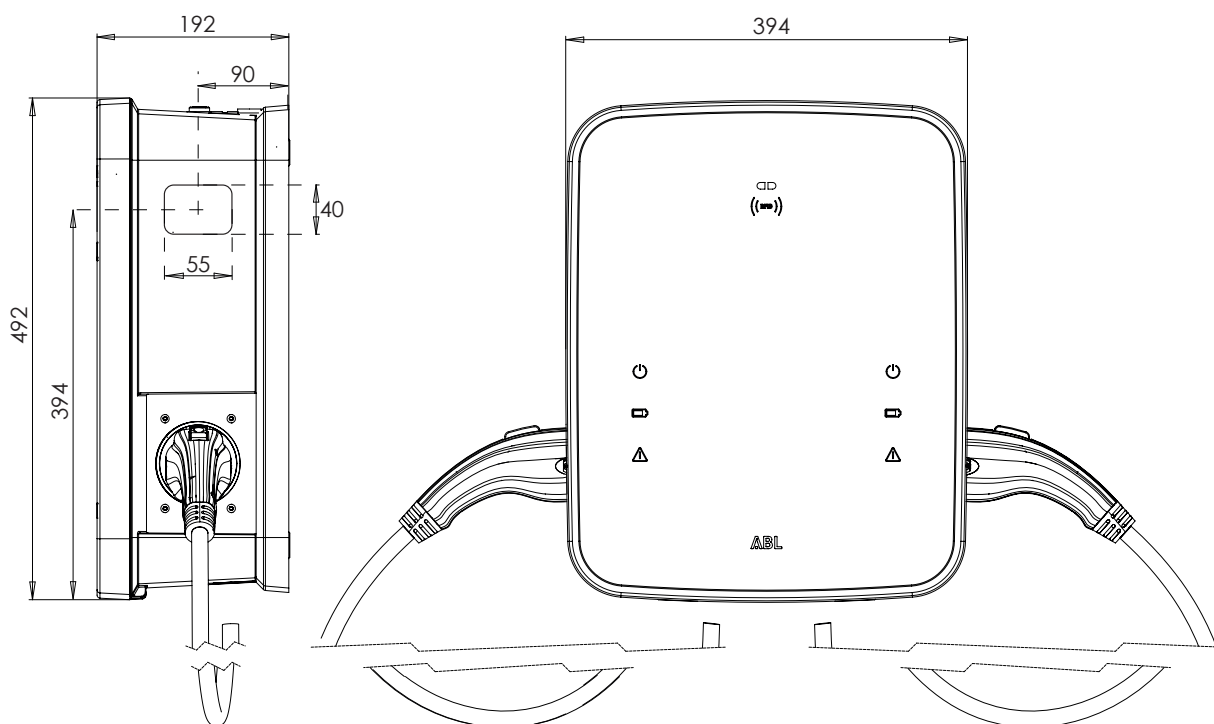
Housing

| | |
|----------------------------|---|
| Type | Wall-mounted housing |
| Fixing type | Wall installation using mounting plate and installation kit |
| Material (housing / cover) | Plastic |
| Housing colour | Black, similar to RAL 9011 |
| Cover colour | Silver, similar to RAL 9006 / black, similar to RAL 9017 |
| Locking mechanism | Integrated triangular key lock |
| Dimensions (HxWxD) | 492 × 394 × 192 mm (housing base without overhangs) |
| Weight (net) | Approx. 21 kg |

Optional accessories

| | |
|---|----------------|
| reev ready Compact licence key | 100000188 |
| reev ready Pro licence key | 100000189 |
| Pole | POLEMH3 |
| Foundation block for pole | EMH9999 |
| Double pole | POLEMH6 |
| Foundation block for double pole | EMH9996 |
| Weather protection roof | WPR36 |
| Cable storage holder with charging plug adapter | CABHOLD |
| Configuration kit | CONF CAB |
| RFID card | E017869, 5 pcs |
| Vehicle simulation adapter | TE005 |
| Dynamic load management up to 300 A | METERS |
| Dynamic load management up to 600 A | METERL |

Dimensioned drawing



Subject to change: All performance characteristics, technical and other specifications are subject to change without prior notice.

Revision status ABL_reev_3W2284B_EN_h, 11/22

ABL GmbH • Albert-Büttner-Straße 11 • D-91207 Lauf / Pegnitz • Tel. +49 (0) 9123 188-0 • info@abl.de • www.abl.de/en
reev GmbH • Sandstraße 3 • 80335 München • Tel. +49 (0) 89 215 389 70 • info@reev.com • www.reev.com