

WALLBOX eMH3 Twin reev ready

EXTENDER+ WITH CHARGING CABLES

22 kW

The wallbox eMH3 Twin reev ready, which is compliant with the German calibration law, has two fixed charging cables with type 2 charging connectors for simultaneous charging of two vehicles. In a group installation, up to 7 wallboxes eMH3 Extender can be connected to one wallbox eMH3 Controller. The extender version is already preconfigured for easy activation of the reev software and is thus the smart entry level charging solution for private and semi-public areas. After commissioning the associated reev ready controller wallbox, the extender version has connectivity for 2 years. Activating the reev backend within this period additionally allows use of the remote service free of charge. With the reev ready Compact or Pro licence keys, the reev Dashboard can be activated quickly and easily for the pre-configured ABL wallbox up to 2 years after commissioning. The reev ready licence keys offer future-proof operation, regular software updates as well as a wide range of functionalities and the reev customer support. With a type A residual current circuit breaker (RCCB) and DC fault current detection integrated as standard, the eMH3 wallbox with reev backend is pre-installed and ready for connection by the installing technician. The wallbox eMH3 Twin reev ready is 'Made in Germany' and offers the highest safety standards available.



General information

Model	eMH3
Product number	3W2254B
EAN number	4011721180885
Commodity code	85371091
Packaging unit (PU)	1 unit
Packaging (dimensions HxWxD)	736 x 487 x 381 mm
Items supplied	Wallbox, printed operating manual, 1 triangular key, installation kit, reev onboarding guide, 2 reev QR codes, reev operator set

Input / mains supply

External power supply	Supply cables up to a maximum of 16 mm ² or cable diameters ≤ 25 mm
Rated voltage	230 / 400 V
Rated current	32 A
Rated frequency	50 Hz
Upstream fuse	32 A (required onsite), C characteristic recommended
Terminal blocks	Direct connection to RCCB PE: feed-through terminal block

Output / vehicle connection

Connection system	Two charging cables with type 2 connector in acc. with IEC 62196-2, ca. 6 m
Output voltage	230 / 400 V
Max. charging current	32 A
Maximum output	2 × 11 kW or 1 × 22 kW

Protection / integrated components

RCCB	RCCB, type A, 30 mA
DC fault current detection	Electronic, $I_{\Delta n \text{ d.c.}} \geq 6 \text{ mA}$
Energy meter	MID compliant
Compliance module	Logging Gateway (LGW)
Load switching	Installation contactor, 4-pole, 40 A
Weld detection	No charging possible with welded contactors
Overcurrent protection	Integrated into firmware, disconnection at 120% after 10 seconds
Temperature monitoring	Internal, charging current reduction or shut down

Charge monitoring / status indicators

Operating status indicator	LED
Access control	RFID, QR code or smartphone app
Communication EV	In acc. with IEC 61851-1 Mode 3
Communication Controller / Extender	RS485

Standards / directives

IEC 61851-1
IEC 61439-7 ACSEV
In acc. with MessEV Modul B

Operating conditions

Storage temperature	-30 to 85°C
Operating temperature	-25 to 40°C
Relative humidity	5 to 95%, no condensation
Class of protection	I
Overvoltage category	III
Degree of pollution	3
Degree of protection (housing)	IP54
Impact strength	IK08
Maximum elevation	≤ 2,000 m AMSL
Power dissipation	7 W

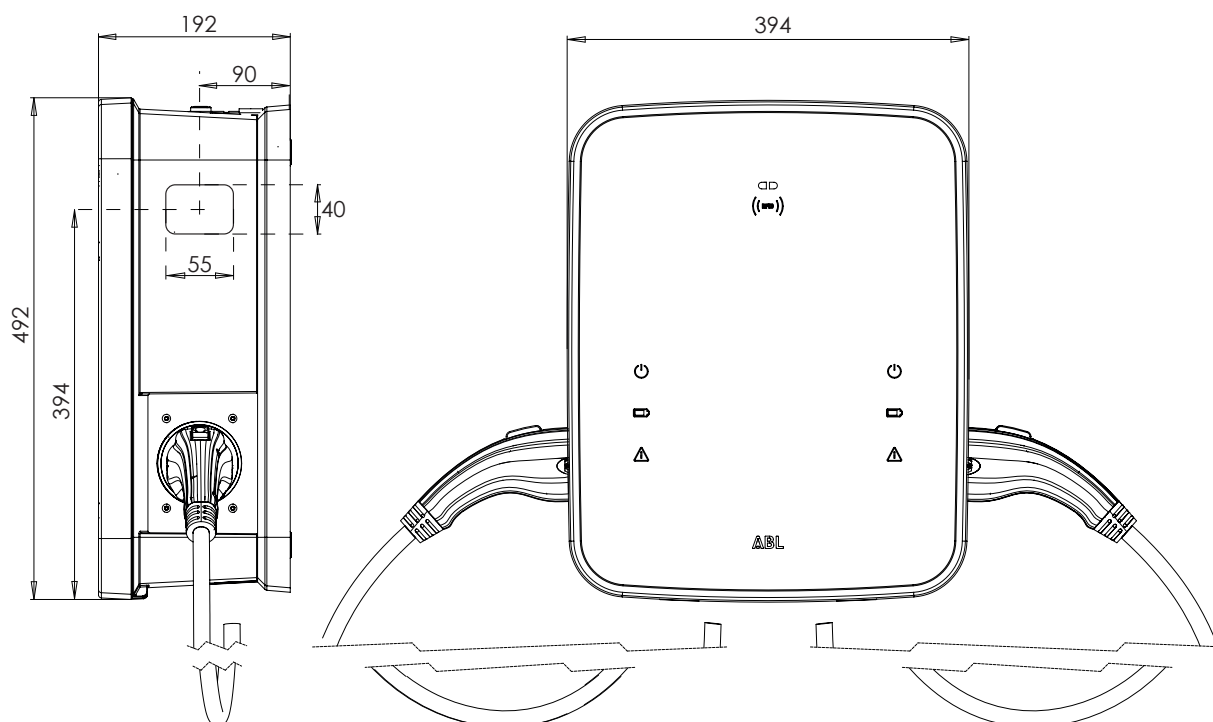
Housing

Type	Wall-mounted housing
Fixing type	Wall installation using mounting plate and installation kit
Material (housing / cover)	Plastic
Housing colour	Black, similar to RAL 9011
Cover colour	Silver, similar to RAL 9006 / black, similar to RAL 9017
Locking mechanism	Integrated triangular key lock
Dimensions (HxWxD)	492 x 394 x 192 mm (housing base without overhangs)
Weight (net)	Approx. 21 kg

Optional accessories

reev ready Compact licence key	100000188
reev ready Pro licence key	100000189
Pole	POLEMH3
Foundation block for pole	EMH9999
Double pole	POLEMH6
Foundation block for double pole	EMH9996
Weather protection roof	WPR36
Cable storage holder with charging plug adapter	CABHOLD
Configuration kit	CONFACAB
RFID card	E017869, 5 pcs
Vehicle simulation adapter	TE005

Dimensioned drawing



Subject to change: All performance characteristics, technical and other specifications are subject to change without prior notice.

Revision status ABL_reev_3W2254B_EN_h, 11/22

ABL GmbH • Albert-Büttner-Straße 11 • D-91207 Lauf / Pegnitz • Tel. +49 (0) 9123 188-0 • info@abl.de • www.abl.de/en
reev GmbH • Sandstraße 3 • 80335 München • Tel. +49 (0) 89 215 389 70 • info@reev.com • www.reev.com