

# WALLBOX eMH2 reev ready

## EXTENDER WITH CHARGING CABLE

### 22 kW

The wallbox eMH2 reev ready features a fixed charging cable with type 2 charging connector. In a group installation, up to 15 wallboxes eMH2 Extender can be connected to one wallbox eMH2 Controller. The extender version is already pre-configured for easy activation of the reev software and is thus the smart entry-level charging solution for private and semi-public areas. After commissioning the associated reev ready controller wallbox, the extender version has connectivity for 2 years. Activating the reev backend within this period additionally allows use of the remote service free of charge. With the reev ready Compact or Pro licence keys, the reev Dashboard can be activated quickly and easily for the pre-configured ABL wallbox up to 2 years after commissioning. The reev ready licence keys offer future-proof operation, regular software updates as well as a wide range of functionalities and the reev customer support. With a Type A residual current circuit breaker (RCCB) and DC fault current detection integrated as standard, the eMH2 wallbox with reev backend is pre-installed and ready for connection by the installing technician. The wallbox eMH2 reev ready is 'Made in Germany' and offers the highest safety standards available.



## General information

|                              |                                                                                                                                    |
|------------------------------|------------------------------------------------------------------------------------------------------------------------------------|
| Model                        | eMH2                                                                                                                               |
| Product number               | 2W2231B                                                                                                                            |
| EAN number                   | 4011721180403                                                                                                                      |
| Commodity code               | 85371091                                                                                                                           |
| Packaging unit (PU)          | 1 unit                                                                                                                             |
| Packaging (dimensions HxWxD) | 740 x 380 x 217 mm                                                                                                                 |
| Items supplied               | Wallbox, printed operating manual, installation kit, drilling template, 1 key, reev onboarding guide, 1 reev QR code, reev sticker |

## Input / mains supply

|                       |                                                           |
|-----------------------|-----------------------------------------------------------|
| External power supply | Max. 5 × 16 mm <sup>2</sup>                               |
| Rated voltage         | 230 / 400 V (3-phase)                                     |
| Rated current         | 32 A                                                      |
| Rated frequency       | 50 Hz                                                     |
| Upstream fuse         | Max. 32 A (required onsite), C characteristic recommended |
| Terminal blocks       | Direct connection to RCD<br>PE to terminal block          |

## Output / vehicle connection

|                       |                                                                                  |
|-----------------------|----------------------------------------------------------------------------------|
| Connection system     | Single charging cable with type 2 connector in acc. with IEC 62196-2, ca. 6.35 m |
| Output voltage        | 230 / 400 V                                                                      |
| Max. charging current | 32 A                                                                             |
| Maximum output        | 22 kW                                                                            |

## Protection / integrated components

|                            |                                                                  |
|----------------------------|------------------------------------------------------------------|
| RCCB                       | Type A RCD, 30 mA                                                |
| DC fault current detection | Electronic, $I_{\Delta n \text{ d.c.}} \geq 6 \text{ mA}$        |
| Energy meter               | MID conform (visible through lateral window)                     |
| Load switching             | Contactors, 4-pole                                               |
| Weld detection             | Contactors welding trips RCD                                     |
| Overcurrent protection     | Integrated into firmware, disconnection at 120% after 10 seconds |
| Temperature monitoring     | Internal, charging current reduction or shut down                |

## Charge monitoring / status indicators

|                                         |                                 |
|-----------------------------------------|---------------------------------|
| Display (operating state / error codes) | LED                             |
| Access control                          | RFID, QR code or smartphone app |
| Communication                           | In acc. with IEC 61851-1 Mode 3 |
| Communication Controller / Extender     | RS485                           |

## Operating conditions

|                                |                           |
|--------------------------------|---------------------------|
| Storage temperature            | -30 to 85°C               |
| Operating temperature          | -25 to 40°C               |
| Relative humidity              | 5 to 95%, no condensation |
| Class of protection            | I                         |
| Overvoltage category           | III                       |
| Degree of pollution            | 3                         |
| Degree of protection (housing) | IP54                      |
| Impact strength                | IK08                      |
| Maximum elevation              | ≤ 2,000 m AMSL            |
| Power dissipation              | n/a                       |

## Standards / directives

|             |
|-------------|
| IEC 61851-1 |
| IEC 61439-7 |
| IEC 62196-1 |
| IEC 62196-2 |

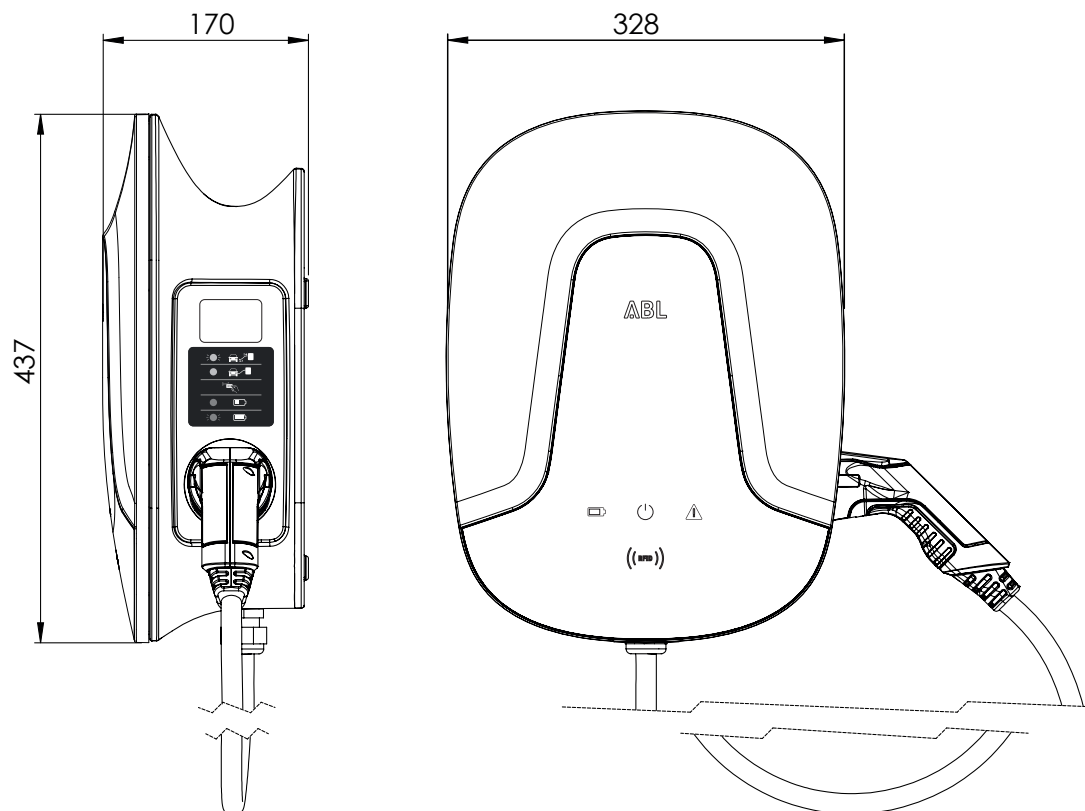
## Housing

|                            |                                                      |
|----------------------------|------------------------------------------------------|
| Type                       | Wall-mounted housing (can be used for cable storage) |
| Fixing type                | Wall bracket (mounting kit provided)                 |
| Material (housing / cover) | Plastic                                              |
| Housing colour             | Black, RAL 9011                                      |
| Cover colour               | Black, translucent                                   |
| Locking mechanism          | Lockable cover with safety screw                     |
| Dimensions (HxWxD)         | 437 × 328 × 170 mm                                   |
| Weight (net)               | Approx. 10 kg                                        |
| Weight (gross)             | Approx. 12 kg                                        |

## Optional accessories

|                                                 |                |
|-------------------------------------------------|----------------|
| reev ready Compact licence key                  | 100000188      |
| reev ready Pro licence key                      | 100000189      |
| Pole                                            | POLEMH2        |
| Foundation                                      | EMH9999        |
| Weather protection roof                         | WPR12          |
| Cable storage holder with charging plug adapter | CABHOLD        |
| Configuration kit                               | CONF CAB       |
| RFID                                            | E017869, 5 pcs |
| Vehicle simulation adapter                      | TE005          |

## Dimensioned drawing



Subject to change: All performance characteristics, technical and other specifications are subject to change without prior notice.

Revision status ABL\_reev\_2W2231B\_EN\_h, 11/22

ABL GmbH • Albert-Büttner-Straße 11 • D-91207 Lauf / Pegnitz • Tel. +49 (0) 9123 188-0 • info@abl.de • www.abl.de/en

reev GmbH • Sandstraße 3 • 80335 München • Tel. +49 (0) 89 215 389 70 • info@reev.com • www.reev.com